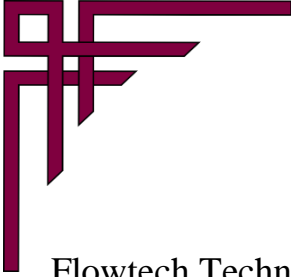




**FlowTech  
Technologies Pvt Ltd.**



**OCTAGON / DC / V BLENDER**



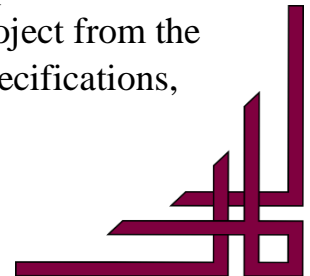
## ABOUT US

Flowtech Technologies is leading provider of plants and machinery to Pharmaceuticals, Chemicals, Cosmetics, Food, Beverages, Distilleries and allied industries. We are one of the best designing and manufacturing company in India who executes wide turn-key projects especially in Pharmaceutical industries.

Our Company is situated in Industrial area of Dombivli which have close proximity to Mumbai, Thane and Navi Mumbai with team of highly potential workers, qualified personnel, experienced technical staff who are in the field of design, manufacturer and execution of pharmaceutical, Chemical, Cosmetics and FMCG projects for a long time.

Flowtech guarantee excellent products & after sales service. With the latest software and manufacturing system Flowtech can provide cost effective product and solution to our customers. Our team make sure that each instrument is inspected & assured under USP & FDA guidelines.

As a design build company, Flowtech can design and install your process plant & piping project. Our highly skilled engineering and design department has the experience and technical expertise to help you develop your project from the ground up. Our design team will design your project to your specifications, while suggesting options that can save you money and time.



## OCTAGON BLENDER

In Octagonal Blender the granules come from all sides due to the octagonal shape of the product container, hence requirement of blender RPM is less.



## DOUBLE CONE BLENDER

As the name suggests the Blender consists of conical structure at both the ends with Circular container in the centre. The Slant design allows uniform mixing and avoids dead spots and the conical shape helps for easy discharge.



## V Blender

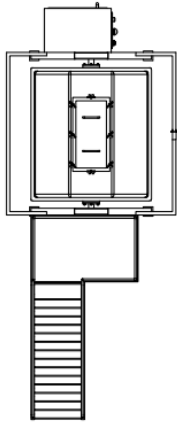
The V-Blender is made of two hollow cylindrical shells joined at an angle of  $70^{\circ}$  to  $75^{\circ}$ . The blender container is mounted on on pillow block bearings to allow it to rotate. As the V-blender rotates, the material continuously splits and recombines, with the mixing occurring as the material free-falls randomly inside the vessel.



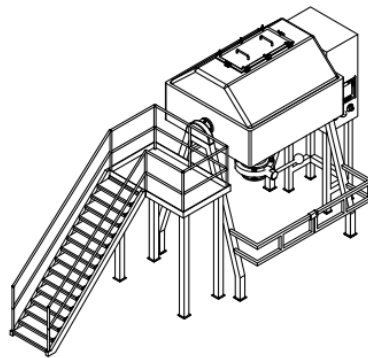
## TECHNICAL SPECS

Model	Gross Capacity (L)	Max Working Capacity (L)	Max Working Capacity ( Kgs )	Motor (HP)	Max Speed - RPM
Lab	Upto 15	12	6	0.5	50
Pilot	20	16	8	1	25
	30	24	12	1	25
	50	40	20	1	25
	100	80	40	2	20
Production	250	200	100	2	20
	500	400	200	3	16
	750	600	300	5	16
	1000	800	400	7.5	16
	2000	1600	800	10	12
	2500	2000	1000	10	8
	4000	3200	1600	15	6
	5000	4000	2000	15	6

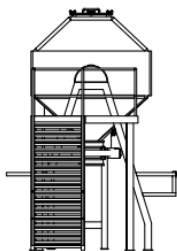
## GRAPHICAL REPRESENTATION



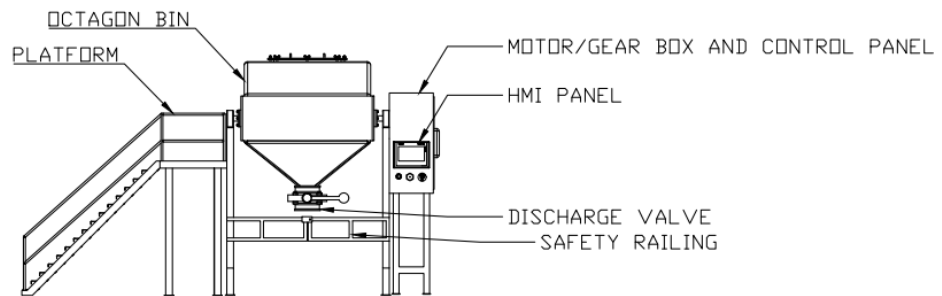
TOP VIEW



ISD VIEW



SIDE VIEW



FRONT VIEW



Plot No. - B-21, MIDC Phase-1, Opp Krishna Hotel  
Dombivali (E), Thane- 421 203, Mumbai  
Tel: +91 916 786 2055 / 66 / 0251 2990227  
Email - [info@flowtechtechnologies.com](mailto:info@flowtechtechnologies.com)  
Web - [www.flowtechtechnologies.com](http://www.flowtechtechnologies.com)